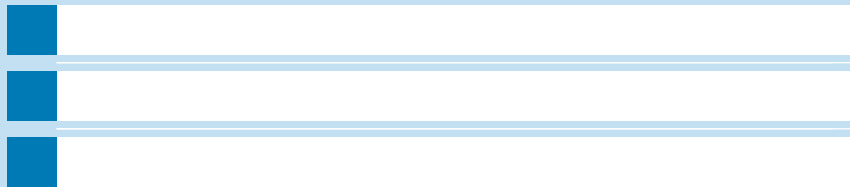
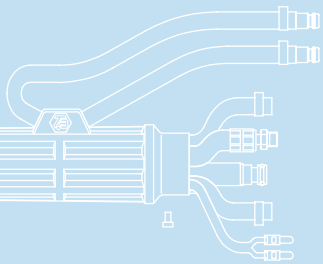
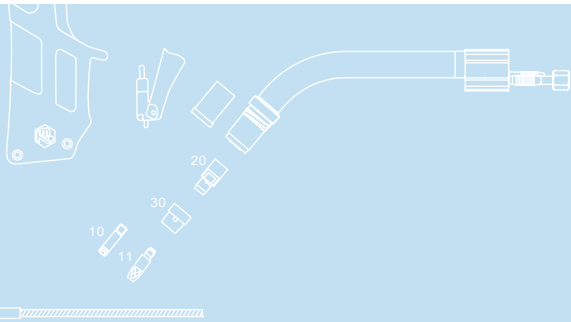




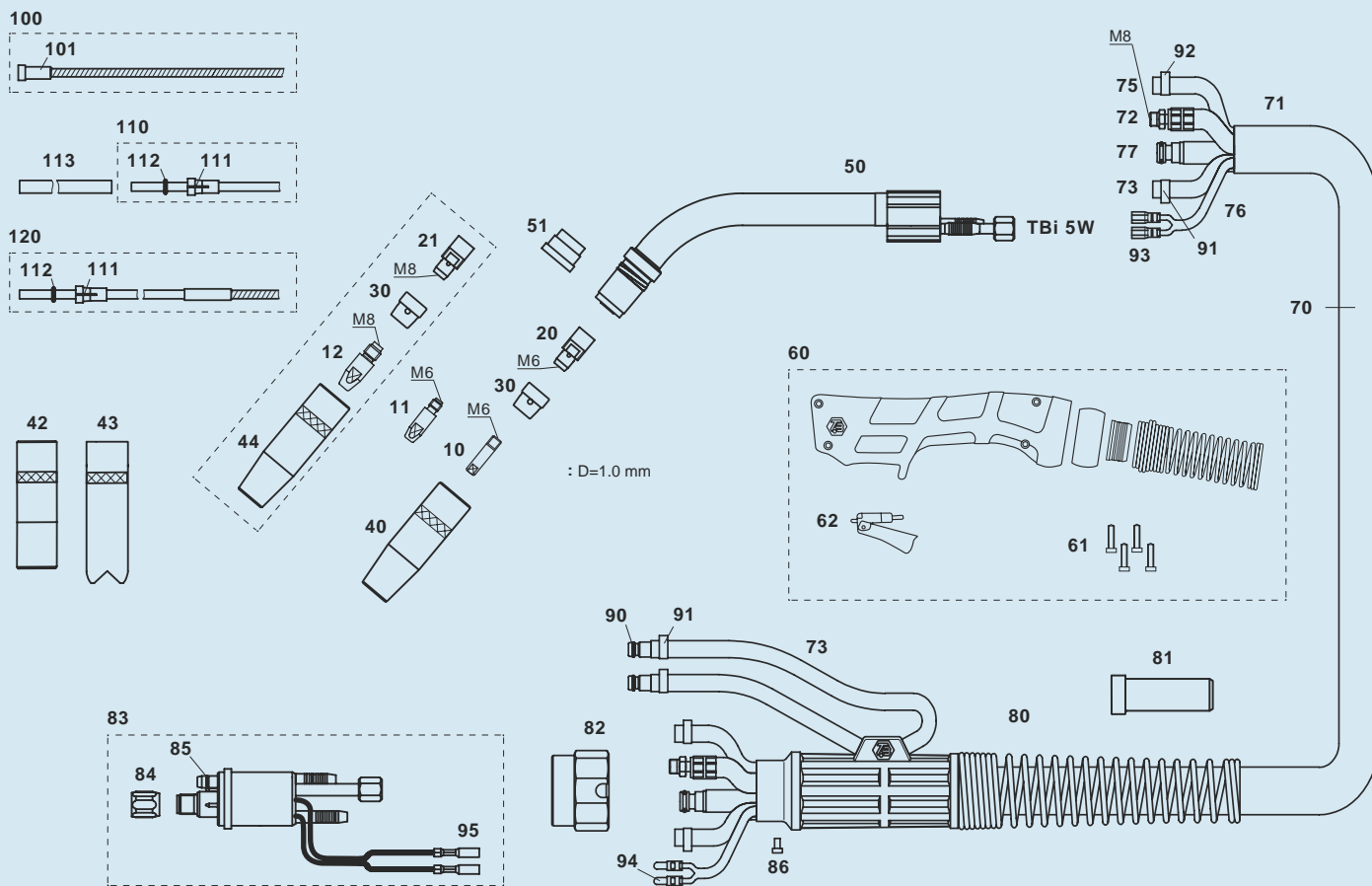
Top 2000 T i 5W



TBi 5 W	ESW,	50°	176P4425_0*
*	3, 4	5	

		MIG / MAG TBi 5 W
/	100%	
(10)	:	290 A 320 A
- CO ₂ :		0.8 - 1.2 mm 12 / IEC 60974-7
1.5m		1.50 kg
		(CLO S®, ESAB®, Lincoln® .)





>	10	M6x25, Ecu	340P_1073*
	10	M6x25, CuCrZr	340P_3073*
	10	M6x25 Alu, Ecu	341P_1073*
	11	M6x28, Ecu	340P_1069*
	11	M6x28, CuCrZr	340P_3069*
	11	M6x28 Alu, Ecu	341P_1069*
	12	M8x30, Ecu	340P_1262*
	12	M8x30, CuCrZr	340P_3262*
	12	M8x30 Alu, Ecu	341P_1262*
>	20	M6, CuCrZr	342P006176
	21	M8, CuCrZr	342P008176
>	30		174P102090
	30	, HD	174P102091
>	40	. 12.5 mm	345P012176
	40	. 12.5 mm HD	345P012276
	42	. 17.0 mm	345P011176
	43	. 17.0 mm	345P125176
	44	. 12.5 mm M8	345PA12176
	50	T i 5W, 50°	176P101006
	51		176P102018
	60		380P220401
	61	M3.5x14	100P008413
	62	, 2-	385P021016

	70	T i Top 2000, 2-C	171P4B45_0*
	71	25x1.5 mm	307P2528_A*
	72	Top2000, 2-C	316P1622_0*
	73	, 2-C, 5x1.5 mm	303P070000
	75	PVC, 4.5x1.5 mm	302P010000
	76	x.30 m	301P2304_0*
	77	(Top2000)	356P0C0C_0*
	80		701P101071
	81	70	600P002107
	82		701P001013
	83	ESW, (Top 2000)	701P101006
	84	M10x1	701P002005
	85	4.0x1.0 mm	365P100040
	86	. M4x6	100P008401
	90		701P002064
	91	Ø 9.5	373P100095
	92	Ø 8.7	371P000087
	93		375P000023
	94		375P000004
	95		375P000003
>	100	, (x.40 m) 0.8-1.0	324P1545_4*
	100	(x.40 m) 1.0-1.2	322P2045_4*
	101	4.5 mm	330P025045
	110	(x.50m) 0.8-1.0	326P1540_5*
	110	(x.50m) 1.0-1.2	326P2040_5*
	111	/ 2.0x4.0mm	331P020040
	112	3.50x1.50 mm ()	365P150035
	113	5x4.4 mm, L=150 mm	329P544150
	120	/ Alu (x.50m) 1.0-1.2	328P2040_A*

> =
* ,08 0,8 3 3 .

© 2011 Tbi Industries GmbH. All rights reserved. Subject to change without notice. Warranty only when using original Tbi consumables and spare parts. Excerpts and reprints not permitted. Nr. DOKP112152,08/2011.

« - »

.: (812) 458-85-64
: (812) 458-85-64
www.tehnoterm-s.ru
info@tehnoterm-s.ru